

Dimmable 20W 300 X 300mm LED Panel

Features

Professional LED lamp working at 200-240V AC

Dimmable with triac dimmer

Equipped with High brightness **Epistar** SMD LED

High performance dimmable LED driver

Excellent optic design for PMMA lighting guide panel

More than 95% uniform light output

Patent Integrated DC connector between LED panel and LED driver

Ultra slim thickness, only 8.8mm

Easy recessed, hanging and ceiling mount installation

Low energy consume, but long life up to 50,000 Hours

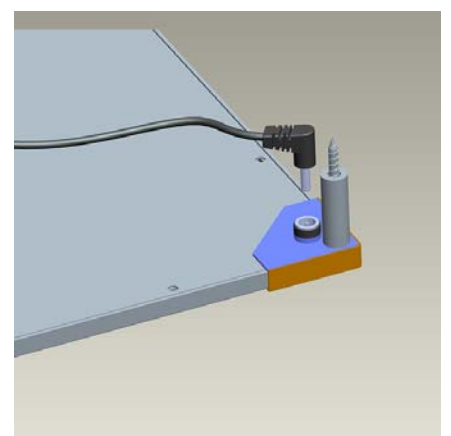
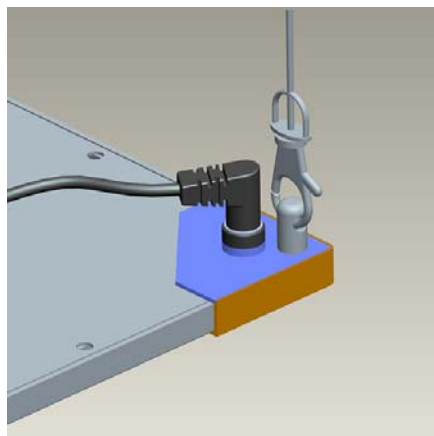
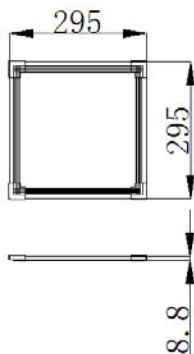
Operating temperature: -40°~ 70°

Operating humidity: 10%-90%

5 Years Warranty



Item No.	Power	LED	Color	CRI	Lumen	Input	PF	Optic	Beam	Connector	DIMM.
DSB-0303-1	20W	SMD	4000K	>82Ra	1520lm	200-240V	>0.95	PMMA	160°	Integrated	Dimmable
DSB-0303-1	20W	SMD	6000K	>80Ra	1680lm	200-240V	>0.95	PMMA	160°	Integrated	Dimmable



Dimension	295X295X8.8mm	Weight	0.60kgs	Package	10pcs/carton	G. Weight	11.0kgs
-----------	---------------	--------	---------	---------	--------------	-----------	---------