

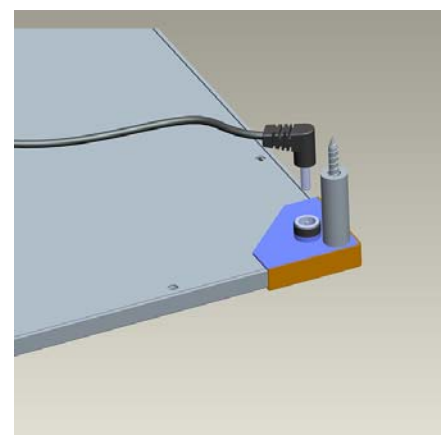
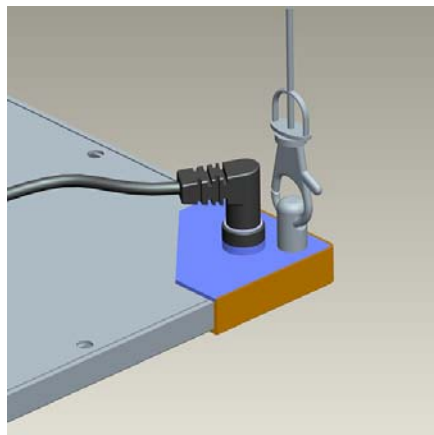
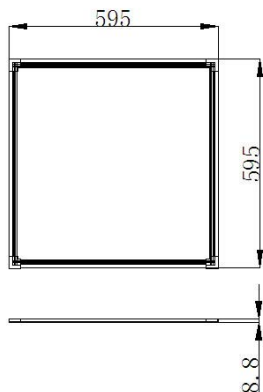
Dimmable 40W 600 X 600mm LED Panel

Features

- Professional LED lamp working at 200-240V AC
- Dimmable with triac dimmer
- Equipped with High brightness Epistar SMD LED
- High performance dimmable LED driver
- Excellent optic design for PMMA lighting guide panel
- More than 95% uniform light output
- Patent Integrated DC connector between LED panel and LED driver
- Ultra slim thickness, only 8.8mm
- Easy recessed, hanging and ceiling mount installation
- Easy recessed, hanging and ceiling mount installation
- Low energy consume, but long life up to 50,000 Hours
- Operating temperature: -40°~ 70°
- Operating humidity: 10%-90%
- 5 Years Warranty



Item No.	Power	LED	Color	CRI	Lumen	Input	PF	Optic	Beam	Connector	DIMM.
DSB-0606-1	40W	SMD	4000K	>82Ra	3080lm	200-240V	>0.95	PMMA	160°	Integrated	Dimmable
DSB-0606-1	40W	SMD	6000K	>80Ra	3220lm	200-240V	>0.95	PMMA	160°	Integrated	Dimmable



Dimension	595X595X8.8mm	Weight	2.5kgs	Package	5pcs/carton	G. Weight	18.0kgs
-----------	---------------	--------	--------	---------	-------------	-----------	---------